

CE 0038 [P>0.5Bar]



**elfab** pressure technology

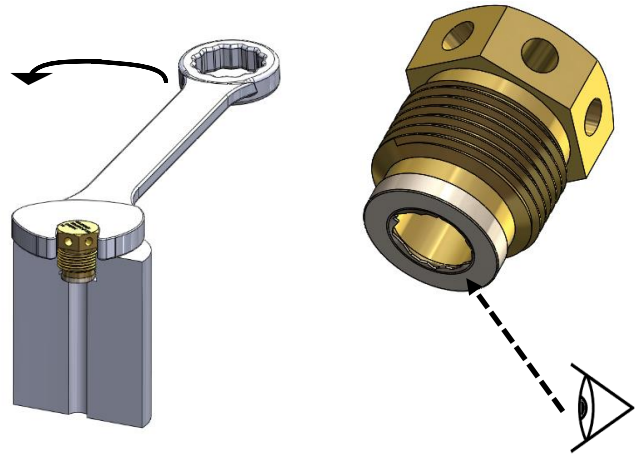
- Installation (GB)
- Installation (F)
- Einbauanleitung (D)
- Installazione (I)
- Instalatie (NL)
- Instalação (P)
- Instalacion (E)
- Installation (S)
- Установка (RUS)

**OE2 Plugs**

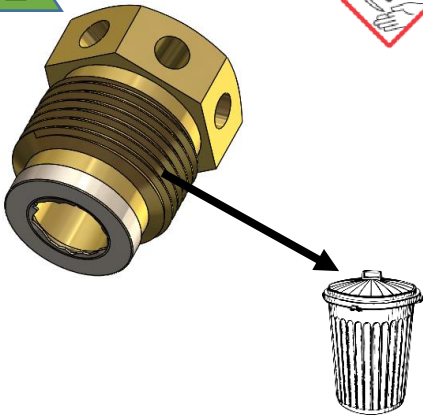
Elfab Limited  
 Alder Road, North Shields, Tyne and Wear, NE298SD  
 UNITED KINGDOM  
 e-mail: sales@elfab.com http://www.elfab.com  
 Tel: +44(0)1912931234

Elfab China Chinasales@elfab.com  
 Elfab Poland Polandsales@elfab.com  
 Elfab Singapore Singaporesales@elfab.com

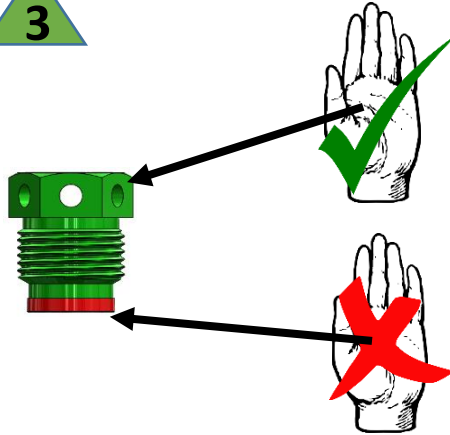
**1**



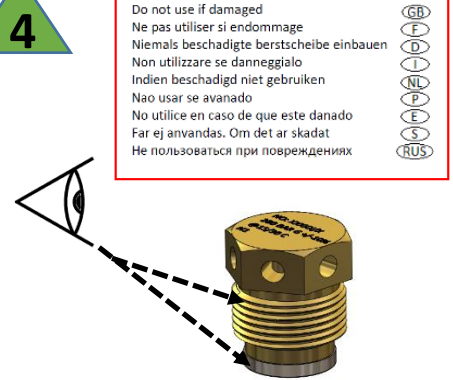
**2**



**3**



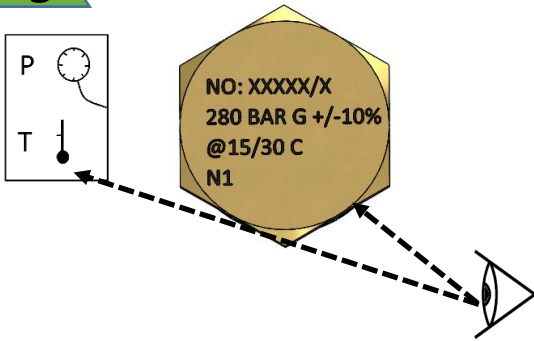
**4**



Do not use if damaged  
 Ne pas utiliser si endommagé  
 Niemals beschadigde berstscheibe einbauen  
 Non utilizzare se danneggiato  
 Indien beschadigd niet gebruiken  
 Não usar se avanado  
 No utilice en caso de que este danado  
 Far ej anvandas. Om det ar skadat  
 Не пользоваться при повреждениях

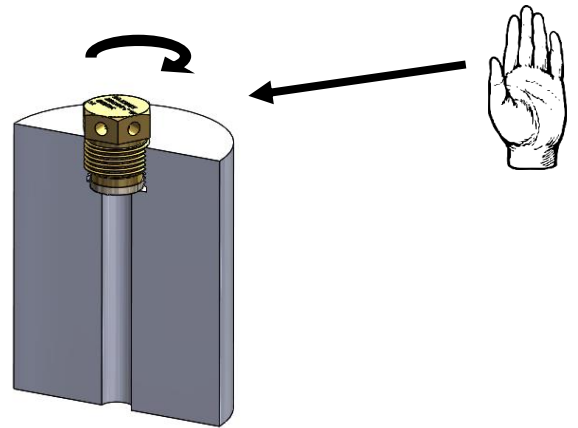
- (GB)
- (F)
- (D)
- (I)
- (NL)
- (P)
- (E)
- (S)
- (RUS)

**5**

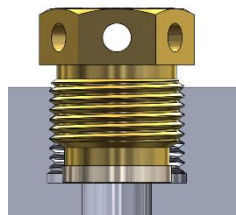
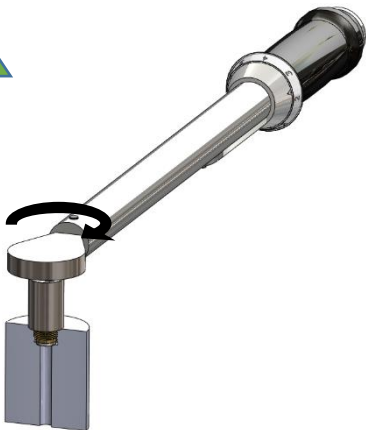


NO: XXXXX/X  
 280 BAR G +/-10%  
 @15/30 C  
 N1

**6**



**7**



**8**

Maximum Torque Setting (Nm) (TYPICAL)	
Thread	Torque
M18 x 1	20

DRAWING NUMBER

00-00-09442

REVISION

0