

CE 0359
 Ex II 1GD EEx ia 11B T6 TO T3

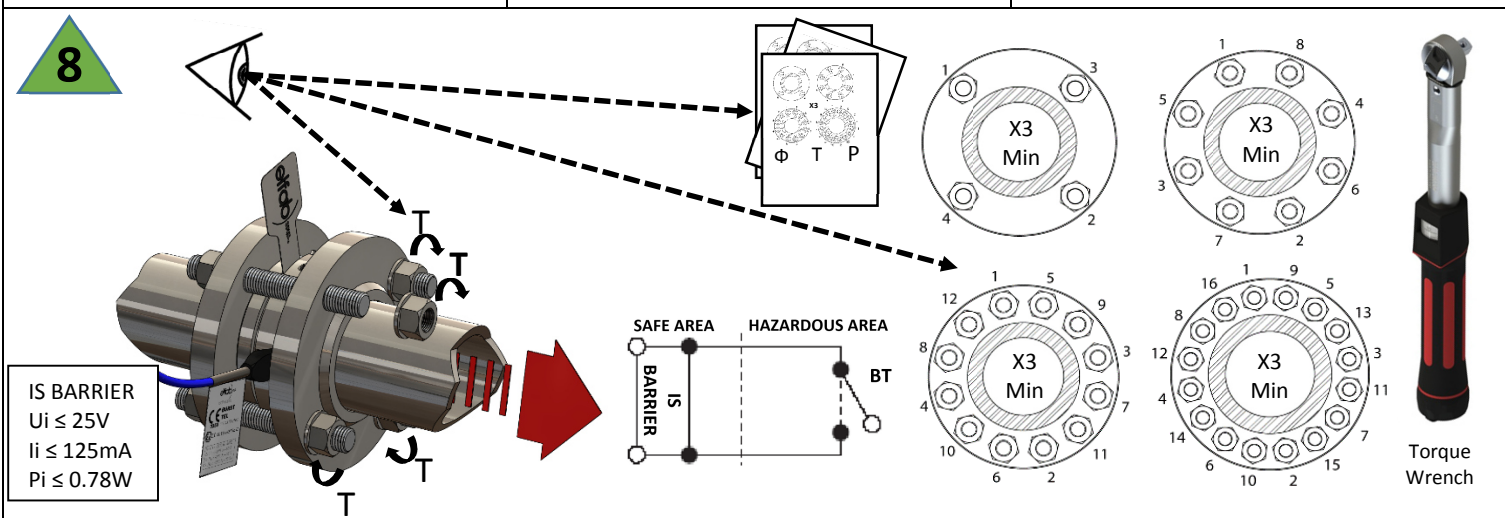
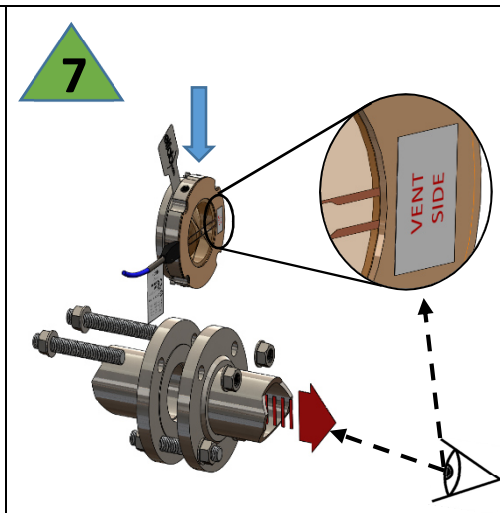
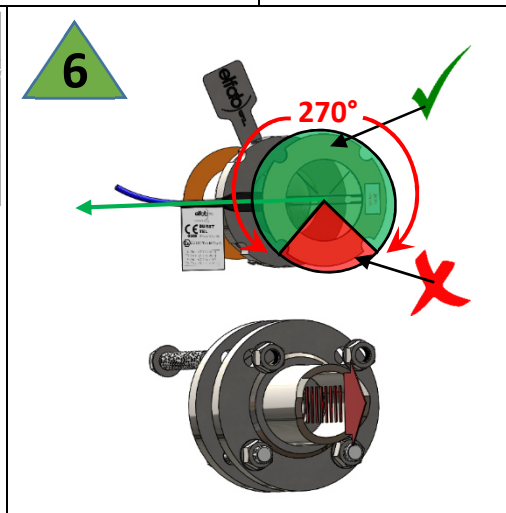
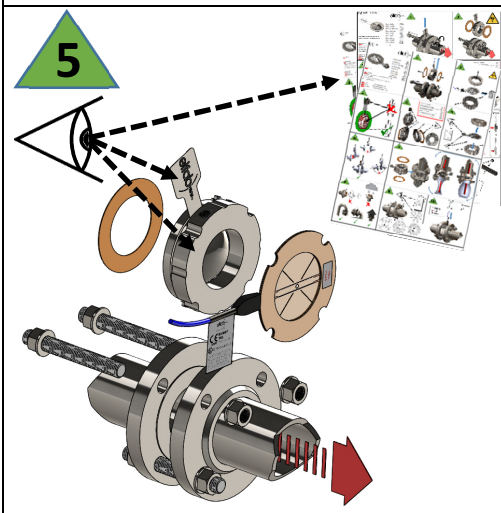
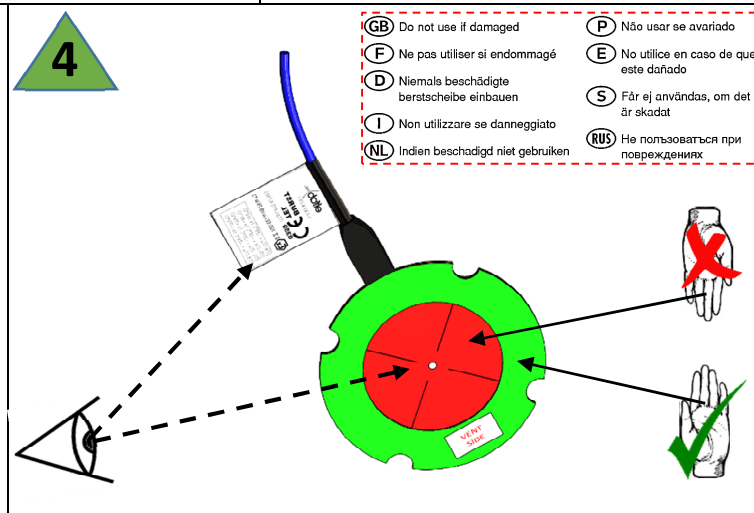
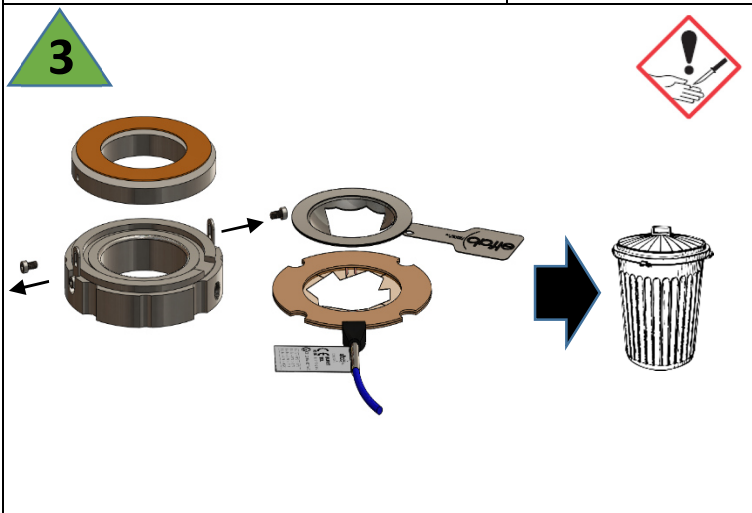
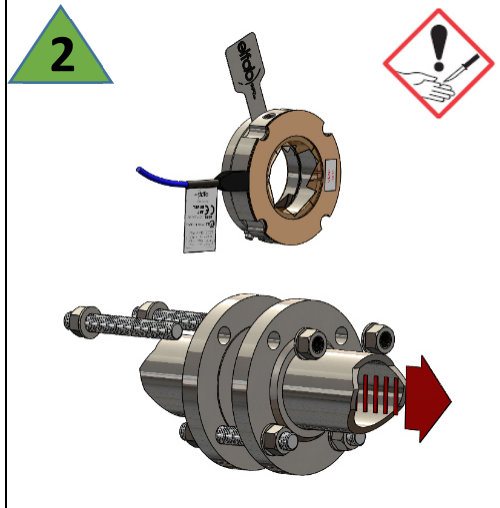
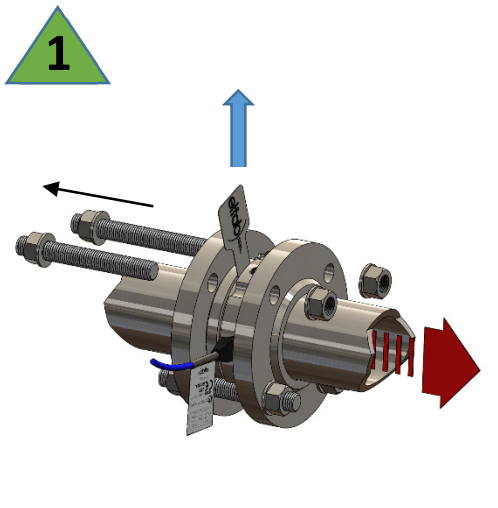
elfab pressure intelligence

- Installation (GB)
- Installation (F)
- Einbauleitung (D)
- Instalazione (I)
- Installatie (NL)
- Instalação (P)
- Instalacion (E)
- Installation (S)
- Установка (RUS)

Burst-Tel

Elfab Limited
 Alder Road, North Shields, Tyne and Wear, NE29 8SD
 UNITED KINGDOM
 e-mail: sales@elfab.com. www.elfab.com
 Tel: +44(0)1912931234

Elfab China Chinasales@elfab.com
 Elfab Poland Polandsales@elfab.com
 Elfab Singapore Singaporesales@elfab.com



IS BARRIER
 $U_i \leq 25V$
 $I_i \leq 125mA$
 $P_i \leq 0.78W$