

REVERSE HOLDERS

FOR REVERSE ACTING DISCS MANUFACTURED IN NORTH SHIELDS

*Designed and manufactured to ensure the **correct and safe performance** of our reverse acting bursting discs manufactured in North Shields, when fitted between flanges.*



Sizes

25mm - 600mm

Discs

Opti-Gard

Opti-Gard Solo

Milli-Gard

Posi-Gard / Vac-Gard

We design our holders for raised face flanges as standard. Options such as RTJ or tongue-and-groove designs are available on request. The additional option of a PFA or Tantaline coating protects the holders in corrosive environments.

Where applicable, we pre-configure the holders to accept the industry-leading, ATEX-approved burst detection systems Flo-Tel and Flo-Tel XD. These systems afford instantaneous notification of a disc burst.

Our holders are also available in a multi-flanged design to enable you to reduce stock and improve supply chain management.

**Let us help you with all
your pressure relief questions.**

UK office | North Shields

+44 (0)191 293 1234 | uksales@osecoelfab.com

US office | Broken Arrow

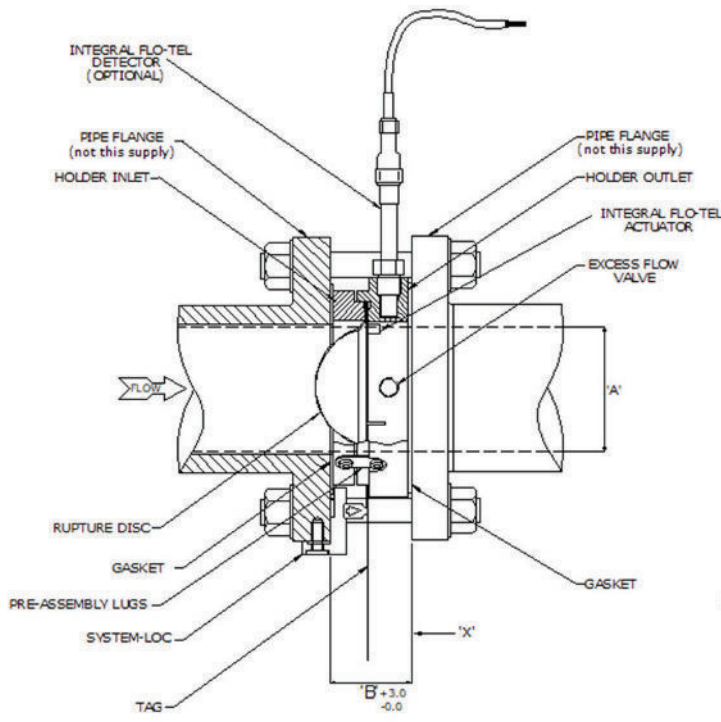
+1 (918) 258 5626 | info@osecoelfab.com

osecoelfab.com

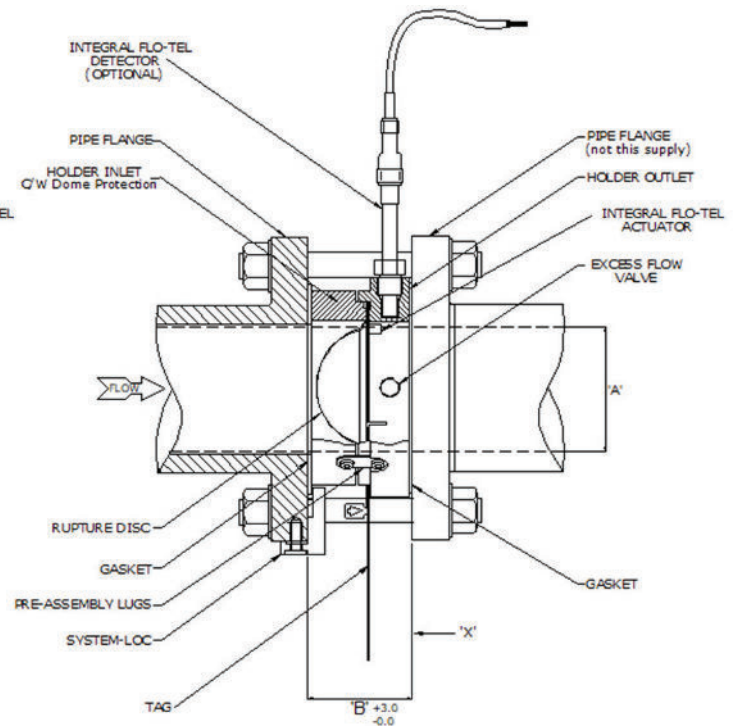
**REQUEST A QUOTE FOR
REVERSE HOLDERS** →



Schematic Drawing



Without Dome Protection



With Dome Protection

NOMINAL BORE (A)		FACE TO FACE (B)			
		WITHOUT DOME PROTECTION		WITH DOME PROTECTION	
DN (mm)	inches	mm	in	mm	in
25	1	-	-	40.4 (Std)	1.59 (Std)
40	1.5	-	-	42.4 (Std)	1.67 (Std)
50	2	-	-	44.4 (Std)	1.75 (Std)
65	2.5	-	-	50 (Std)	1.97 (Std)
80	3	-	-	55 (Std)	2.17 (Std)
100	4	-	-	58 (Std)	2.28 (Std)
150	6	-	-	74.5 (Std)	2.93 (Std)
200	8	51.5 (Std)	2.03 (Std)	90.5	3.56
250	10	51.5 (Std)	2.03 (Std)	105.5	4.15
300	12	51.5 (Std)	2.03 (Std)	120.5	4.74
350	14	51 (Std)	2.0 (Std)	145	5.71
400	16	51 (Std)	2.0 (Std)	166	6.53
450	18	51 (Std)	2.0 (Std)	182	7.17
500	20	51 (Std)	2.0 (Std)	201	7.91
600	24	51 (Std)	2.0 (Std)	238	9.37

FLANGE SPECIFICATIONS	
EN 1092-1 PN DESIGNATED	BS EN 1759-1 ANSI DESIGNATED
PN 6	ANSI 150
PN 10	ANSI 300
PN 16	ANSI 600
PN 20	ANSI 900
PN 25	ANSI 1500
PN 40	ANSI 2500
PN 50	-
PN 63	-
PN 100	-

Standard height dimensions account for the disc and holder assembly only. They do not account for gasket thickness.